

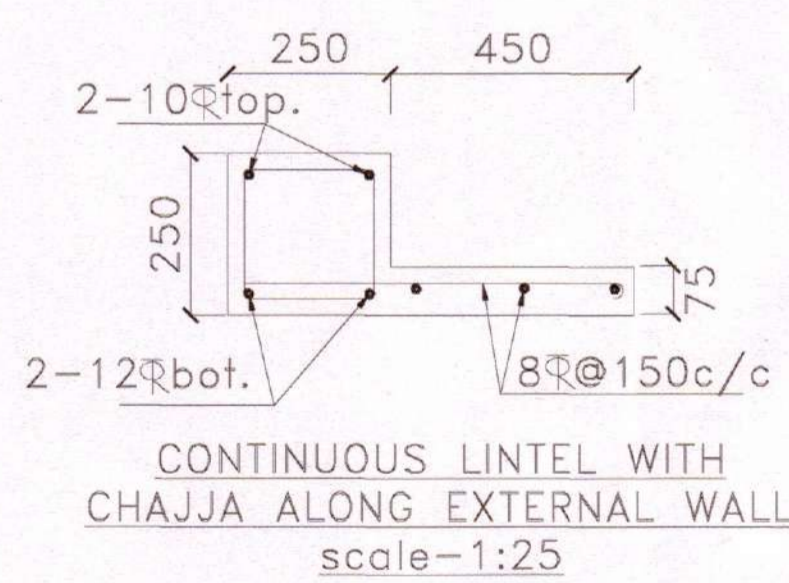
1 COLUMN LAYOUT PLAN  
SCALE: 1:100

TABLE NO:-01 (SCHEDULE OF COLUMNS)

COLUMN MARKED	NO. OF COLUMN	COLUMN SIZE (mm)	FOUNDATION TO 3RD FLOOR LONGITUDINAL REINFORCEMENT	4TH FLOOR TO 7TH FLOOR LONGITUDINAL REINFORCEMENT	8TH FLOOR TO ROOF LONGITUDINAL REINFORCEMENT	TIE	SHAPE OF STIRRUPS
C1, C2, C3, C4, C5, C6, C9, C13, C14, C18, C19, C23, C24, C25, C26, C27, C28, C32, C33, C41, C42, C51, C52, C53, C54, C55, C56, C57, C58, C59, C60, C61, C62, L5.	34	300X700				NEAR JUNCTION (UPTO 10') LENGTH LINKS: 8@75C/C (4 NOS. CLOSED LINK PER SET) AT REST PORTION LINKS: 8@150C/C (4 NOS. CLOSED LINK PER SET)	
(L5-FOUNDATION TO GROUND FLOOR ROOF)			REINFORCEMENT: 14-25 $\Phi$ 2-20 $\Phi$	REINFORCEMENT: 12-25 $\Phi$ 2-20 $\Phi$	REINFORCEMENT: 10-25 $\Phi$ 4-20 $\Phi$		
C7, C10, C12, C15, C16, C17, C20, C31, C34, C37, C38, C39, C40, C43, C44, C45, C46, C47, C48, C49, C50.	21	300X700				NEAR JUNCTION (UPTO 10') LENGTH LINKS: 8@75C/C (4 NOS. CLOSED LINK PER SET) AT REST PORTION LINKS: 8@150C/C (4 NOS. CLOSED LINK PER SET)	
(L5-FOUNDATION TO GROUND FLOOR ROOF)			REINFORCEMENT: 12-25 $\Phi$ 2-20 $\Phi$	REINFORCEMENT: 10-25 $\Phi$ 4-20 $\Phi$	REINFORCEMENT: 8-25 $\Phi$ 6-20 $\Phi$		

TABLE NO:-02 (SCHEDULE OF COLUMNS)

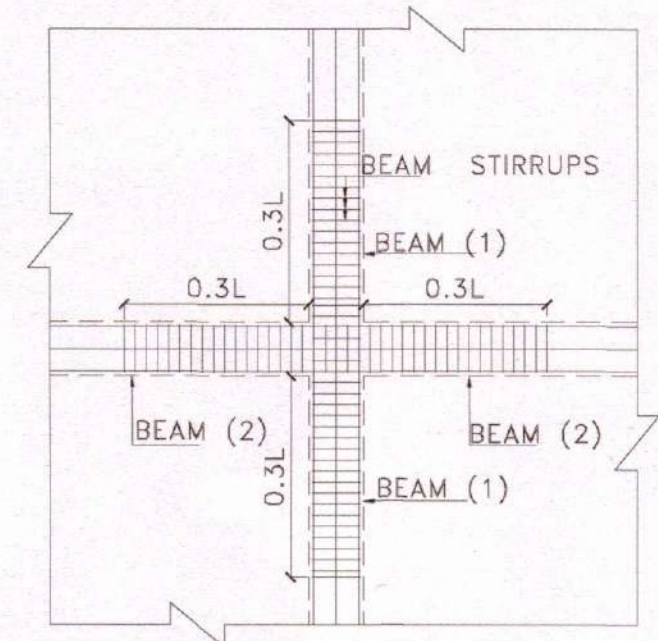
COLUMN MARKED	NOS. OF COLUMN	COLUMN SIZE (mm x mm)	FOUNDATION TO 3RD FLOOR LONGITUDINAL REINFORCEMENT	4TH FLOOR TO 7TH FLOOR LONGITUDINAL REINFORCEMENT	8TH FLOOR TO ROOF LONGITUDINAL REINFORCEMENT	TIE	SHAPE OF STIRRUPS
C8, C11, L7, L8.	04	500X300				NEAR JUNCTION (UPTO 10') LENGTH LINKS: 8@75C/C (4 NOS. CLOSED LINK PER SET) AT REST PORTION LINKS: 8@150C/C (4 NOS. CLOSED LINK PER SET)	
(L7, L8- FROM FIRST FLOOR ROOF TO ROOF).			REINFORCEMENT: 8-25 $\Phi$ 2-20 $\Phi$	REINFORCEMENT: 6-25 $\Phi$ 4-20 $\Phi$	REINFORCEMENT: 4-25 $\Phi$ 6-20 $\Phi$		



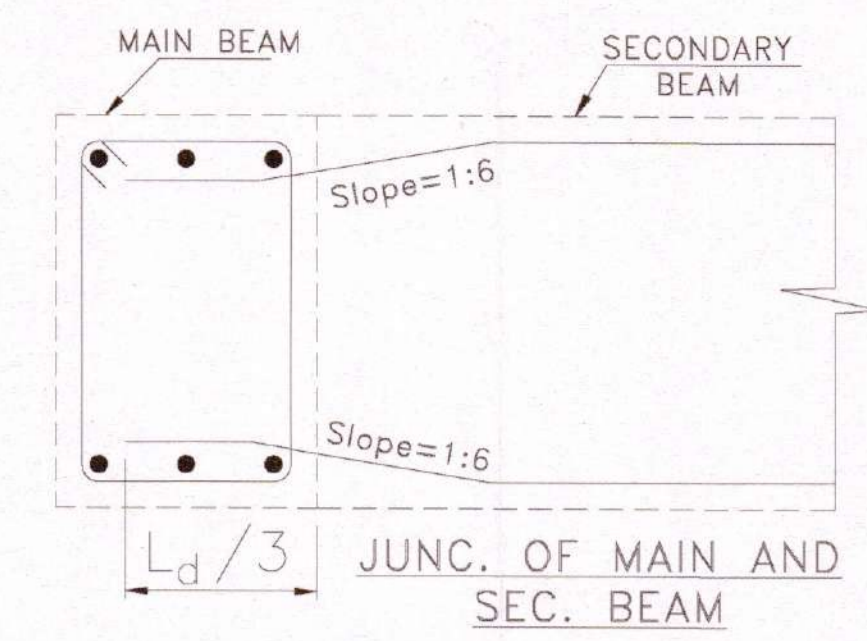
CONTINUOUS LINTEL WITH CHAJJA ALONG EXTERNAL WALL  
scale-1:25

TABLE NO:-03 (SCHEDULE OF COLUMNS)

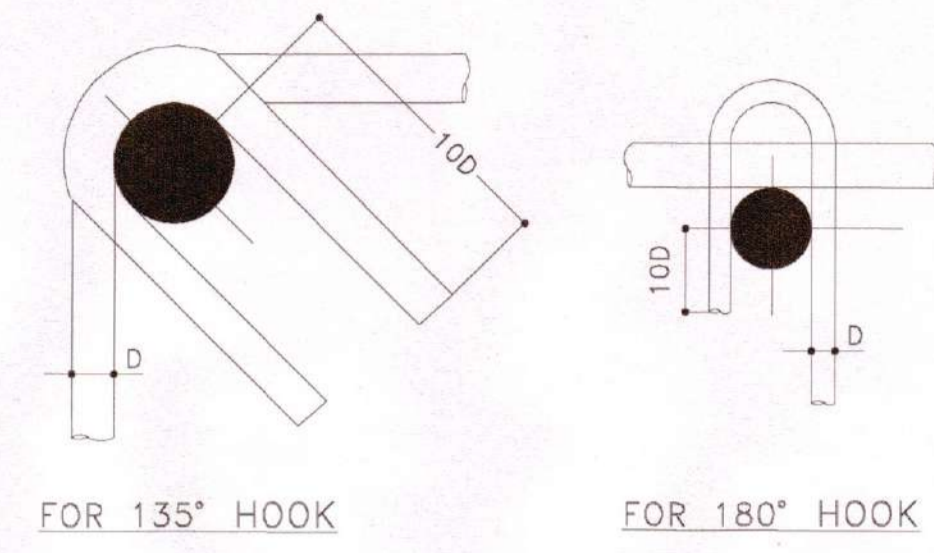
COLUMN MARKED	NO. OF COLUMN	COLUMN SIZE (mm)	FOUNDATION TO 3RD FLOOR LONGITUDINAL REINFORCEMENT	4TH FLOOR TO 7TH FLOOR LONGITUDINAL REINFORCEMENT	8TH FLOOR TO ROOF LONGITUDINAL REINFORCEMENT	TIE	SHAPE OF STIRRUPS
C21, C22, C29, C30, C35, C36.	06	250X600				NEAR JUNCTION (UPTO 10') LENGTH LINKS: 8@75C/C (2 NOS. CLOSED LINK PER SET) AT REST PORTION LINKS: 8@150C/C (2 NOS. CLOSED LINK PER SET)	
			REINFORCEMENT: 12-25 $\Phi$	REINFORCEMENT: 10-25 $\Phi$ 2-20 $\Phi$	REINFORCEMENT: 8-25 $\Phi$ 4-20 $\Phi$		



1 DETAILS OF CROSS BEAM JUNCTION  
SCALE: 1:50

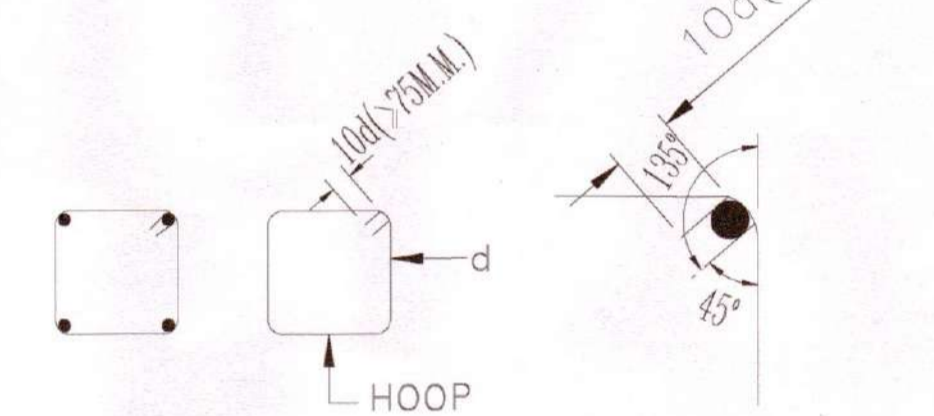


JUNC. OF MAIN AND SEC. BEAM

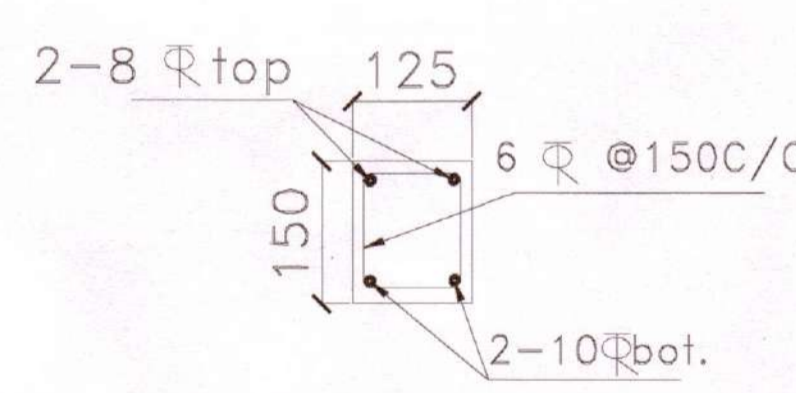


FOR 135° HOOK FOR 180° HOOK

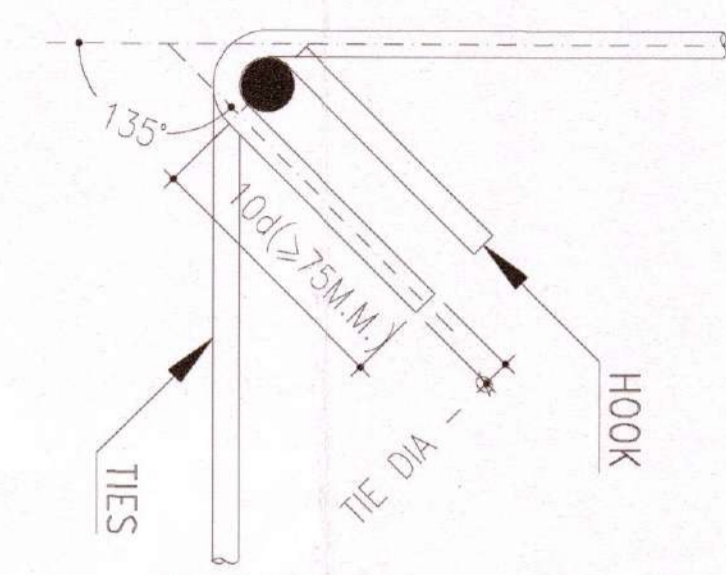
TYP. DETAIL OF HOOK(A)



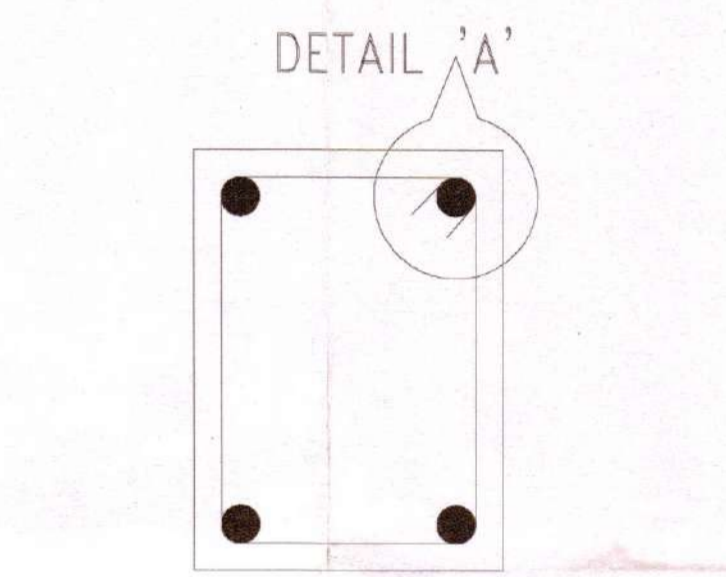
STIRRUP DETAIL  
(d = DIA OF STIRRUP BAR)



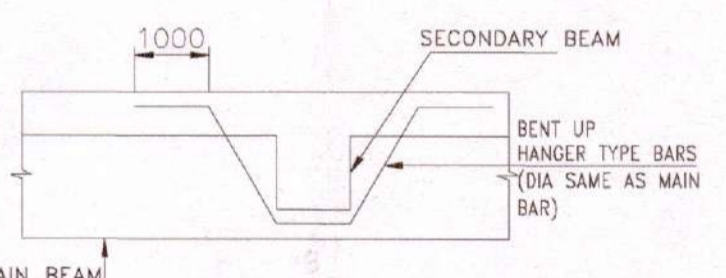
CUT LINTEL OVER 125 THK. WALL  
scale-1:25



DETAIL : A  
(TYPICAL DETAIL OF 135° HOOK)



DETAILS OF COLUMN HOOK REINFORCEMENT



BENT UP HANGER TYPE BARS AT MAIN BEAM & SECONDARY BEAM JUNCTIONS

TABLE NO:-04 (SCHEDULE OF COLUMNS)

COLUMN MARKED	NO. OF COLUMN	COLUMN SIZE (MM)	FOUNDATION TO BASEMENT FLOOR ROOF LONGITUDINAL REINFORCEMENT	TIE	SHAPE OF STIRRUPS
L1, L2, L3, L4, L6, L9.	06	300X300		NEAR JUNCTION (UPTO 10') LENGTH LINKS: 8@75C/C (2 NOS. CLOSED LINK PER SET) AT REST PORTION LINKS: 8@150C/C (2 NOS. CLOSED LINK PER SET)	
(L6-FOUNDATION TO GROUND FLOOR) (L9-GROUND FLOOR ROOF TO 1ST FLOOR ROOF)			REINFORCEMENT: 6-25 $\Phi$		

PROJECT NAME:-

STRUCTURAL DRAWING OF PROPOSED (B+G+10) ELEVATED RESIDENTIAL CUM COMMERCIAL BUILDING OF MRS. RINA GHOSH W/O MUKTIPADA GHOSH, MR. MUKTIPADA GHOSH S/O LATE RABI LOCHAN GHOSH, MRS. SHOBHA GHOSH W/O NARAYAN CHANDRA GHOSH, MRS. CHHANDA GHOSH W/O DAMODAR GHOSH, MRS. RAJKUMARI GHOSH W/O CHANDI CHARAN GHOSH, R.S PLOT NO- 21.22, 232. L.R PLOT NO- 39, 52, 53, L.R. KHATIAN NO-2486, 2195, 2763, 2834, 2835, 2838, 2839. J.L. NO -109 MOUZA-SHANKARPUR, P.S.-N.T.P.S., DIST-PASCHIM BARDHAMAN, WEST BENGAL.

- NOTES :-
- (±) 0.00 m LEVEL REFERS TO E.G.L.
  - UNLESS OTHERWISE STATED ALL CONSTRUCTION ACTIVITIES SHALL BE CARRIED OUT CONFORMING TO RELEVANT (INDIAN) STANDARD CODES OF PRACTICE.
  - ALL DIMENSIONS ARE IN MILLIMETERS & LEVELS ARE IN METER. EXCEPT OTHERWISE MENTIONED ONLY WRITTEN DIMENSIONS SHALL BE FOLLOWED. ALL LEVELS GIVEN IN STRUCTURAL DRAWINGS ARE IN ACCORDANCE WITH ARCHITECTURAL DRAWINGS AND INDICATE STRUCTURAL LEVEL ONLY (WITHOUT FINISH). HOWEVER ARCHITECTURAL DRAWING TO BE COORDINATED FOR ALL LEVELS.
  - ALL STRUCTURAL DRAWINGS SHALL BE READ ALONG WITH THIS DRAWING AS WELL AS RELEVANT ARCHITECTURAL DRAWINGS.
  - ANY DISCREPANCY IN THE STRUCTURAL AND ARCHITECTURAL DRAWINGS SHALL BE BROUGHT TO THE NOTICE OF STRUCTURAL CONSULTANT BEFORE EXECUTION OF WORK.
  - UNLESS OTHERWISE SPECIFIED ALL REINFORCEMENT TO BE USED SHALL BE TMT. BARS OF GRADE Fe-500/500 D CONFORMING TO IS-1786-2008.
  - ADEQUATE CHAIR BARS TO BE PROVIDED TO KEEP THE TOP REINFORCEMENT IN PROPER POSITION.
  - UNLESS OTHERWISE STATED LAP LENGTH OF BARS SHALL BE DEVELOPMENT LENGTH=50xBAR DIA.
  - UNLESS OTHERWISE SPECIFIED DISTRIBUTION REINFORCEMENT SHALL BE 8 T @ 250 C/C
  - CONCRETE COVER TO MAIN REINFORCEMENT SHALL BE AS FOLLOWS:-  
a) Beam:-25mm, b) Column:-40mm, c) Slab:-15mm, d) Footing:-50mm, e) R.C.C Wall:-20mm, f) Stair:-20mm.
  - Grade of concrete will be M30 for column and M25 for beam and sub structure as per is: 456:2000.
  - Development length 50xd for lap & splices should be provided as per the provisions laid down in SP34:1987

SIGNATURE OF DEVELOPER/OWNER:-

*Rina Ghosh*  
*Chhandu Ghosh*

SIGNATURE OF STRUCTURAL ENGINEER:-

*Himanshu Ghosh*  
Structural Engineer  
Lic No. L.B.P.M/15314/MC-DWIC/01018  
DCE, B-TECH, G.I.D.S., Durgapur-16  
Contact No. - 760294157  
As per ISO 20 Letter  
Memo No. - 927/15024  
Dt - 04/10/2024  
Approved Plan No. 177 on Meeting  
No. 6/2022-23, Date 22/08/2022  
Valid upto 12/10/2026  
*S. P. Saha*  
Pradhan  
Jamua Gram Panchayat

TITLE:-

COLUMN LAYOUT PLAN, SCHEDULE OF COLUMN, DETAILS OF COLUMN HOOK REINFORCEMENT, STIRRUPS DETAILS, SECTIONAL DETAILS OF LIFT WALL, DETAIL OF CROSS BEAM JUNCTION, SECTIONAL DETAILS OF CUT LINTEL AND CONTINUOUS LINTEL.

SIGNATURE OF ARCHITECT:-

*Manju Monowara*  
MANJU MONOWARA  
ARCHITECT  
CA/2022/148222  
G.I.D.S., Durgapur -16

SIGNATURE OF GEO-TECHNICAL ENGINEER:-

*S. P. Saha*  
S. P. SAHA  
GEO-TECHNICAL ENGINEER  
Lic No. L.B.P.M/15314/MC-DWIC/01018  
G.I.D.S., Durgapur-16

DRAWN BY:- A BADIYAKAR

CHECKED BY:- S AKHTAR

SCALE : 1:100, 1:50, 1:25, N.T.S

REV-00

DATE : 10.02.2023

SHEET NO:- STRUCTURE:-01-04

